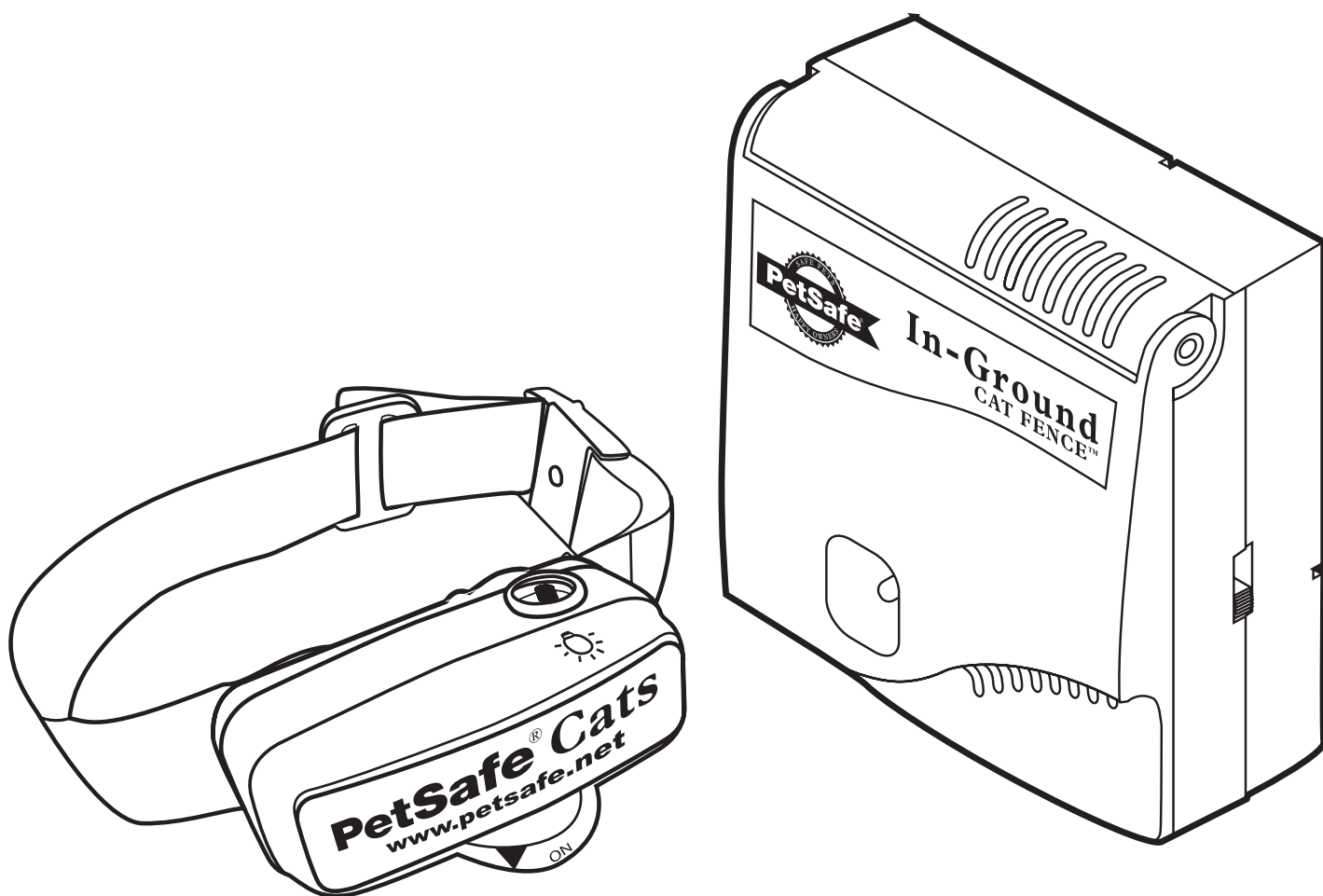


PetSafe[®] Deluxe In-Ground Cat Fence[™] Operating and Training Guide

Please read this entire guide before installation.



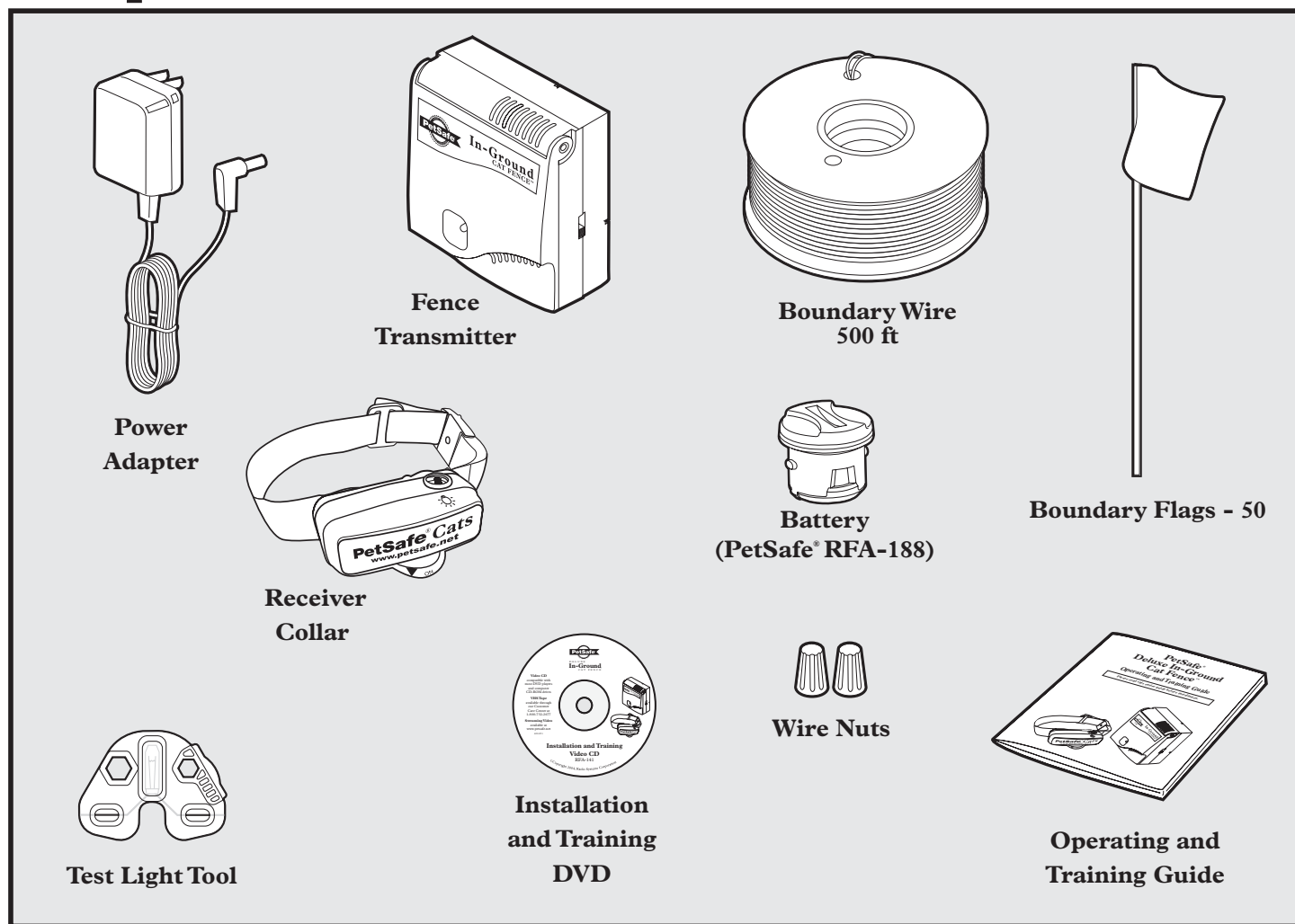
Thank you for choosing PetSafe®, the best selling brand of electronic training solutions in the world. Our mission is to be the most trusted brand in the pet ownership experience. We want to ensure your pet's safety by providing you with the tools and techniques to successfully train your pet. If you have any questions, please contact the Customer Care Center at 1-800-732-2677 or visit our website at www.petsafe.net.

To get the most protection out of your limited warranty, please register your product within 90 days at www.petsafe.net. By registering, you will enjoy the product's full warranty and should you ever need to call the Customer Care Center, we will be able to help you faster. Additionally, you will not have to save your product receipt as registering serves as proof of purchase. Most importantly, PetSafe will never give or sell your valuable information to anyone.

Table of Contents

Components	3
Other Items You May Need.....	3
How the System Works	4
Key Definitions	4
Operating Guide	
Locate the Fence Transmitter.....	5
Lay Out the System.....	5
Sample Layouts.....	6
Position the Boundary Wire	7
Connect the Wires to the Fence Transmitter	8
Prepare the Receiver Collar.....	9
Function and Response Table	9
Set the Boundary Width and Test the Receiver Collar.....	10
Install the Boundary Wire	11
Place the Boundary Flags	12
Fit the Receiver Collar.....	12
Training Guide	
Be Patient With Your Cat	14
Preparation	14
Receiver Collar Familiarity	14
On Lead Training Method	15
Supervised Tie Out Training Method	17
Accessories	17
Troubleshooting.....	18
Short Loop Test	19
To Locate a Break in the Boundary Wire	19
Terms of Use and Limitation of Liability	20
FCC.....	20
Caution	20
Product Warranty	21
Layout Grid.....	22
Mounting Template	24

Components



Other Items You May Need

- Additional wire and flags (Part #PRFA-500)
- Tape measure
- Drill & mounting hardware
- Shovel or lawn edger
- Pliers
- Wire stripping pliers
- Scissors
- Lighter
- Electrical tape
- Additional wire nuts
- Waterproofing compound (e.g. silicone caulk)
- PVC pipe or water hose
- Circular saw with masonry blade
- Patching compound
- Staple gun
- Non-metallic harness and lead

Training Equipment Needed

- Harness sized to fit your cat
- 15' - 20' screw-in tie out**

**Required for supervised tie-out training. On-lead training does not require tie-out.

Note: For information on professional installation of your new PetSafe® Deluxe In-Ground Cat Fence™, contact the Customer Care Center at 1-800-732-2677 or visit our website at www.petsafepro.com.

How the System Works

The PetSafe® Deluxe In-Ground Cat Fence™ has been proven safe, comfortable, and effective for all cats over 6 lb. and at least 6 months old. The system works by producing a radio signal from the Fence Transmitter through up to 4000 ft. of Boundary Wire. The Boundary Wire is buried or attached to a fixed object to enclose the Pet Area. You temporarily define this Pet Area with Boundary Flags for a visual aid in training your cat. Your cat wears a Receiver Collar with Contact Points that touch his neck and, once trained, is allowed to roam freely in the Pet Area. When your cat reaches the Warning Zone, the Receiver Collar gives a warning beep. If your cat continues into the Static Correction Zone, a safe Static Correction will be delivered through the Contact Points to get his attention until he returns to the Pet Area.

Key Definitions

Fence Transmitter: The device that transmits the radio signal through the Boundary Wire.

Pet Area: The area within the Warning Zone where your cat can roam freely.

Warning Zone: The outer edge of the Pet Area where your cat's Receiver Collar begins to beep, warning him not to go into the Static Correction Zone.

Static Correction Zone: The zone beyond the Warning Zone where your cat's Receiver Collar will emit a Static Correction, signaling him to return to the Pet Area.

Boundary Width: The combination of the Warning Zone and the Static Correction Zone.

Receiver Collar: The device that receives the radio signal from the Boundary Wire.

Correction Level Button: The button to adjust the level of Static Correction your cat receives in the Static Correction Zone.

Receiver Indicator Light: The light that indicates the level of correction at which the Receiver Collar is set. This light also serves as a low battery indicator.

Contact Points: The contacts through which the Receiver Collar delivers the safe Static Correction when your cat moves into the Static Correction Zone.

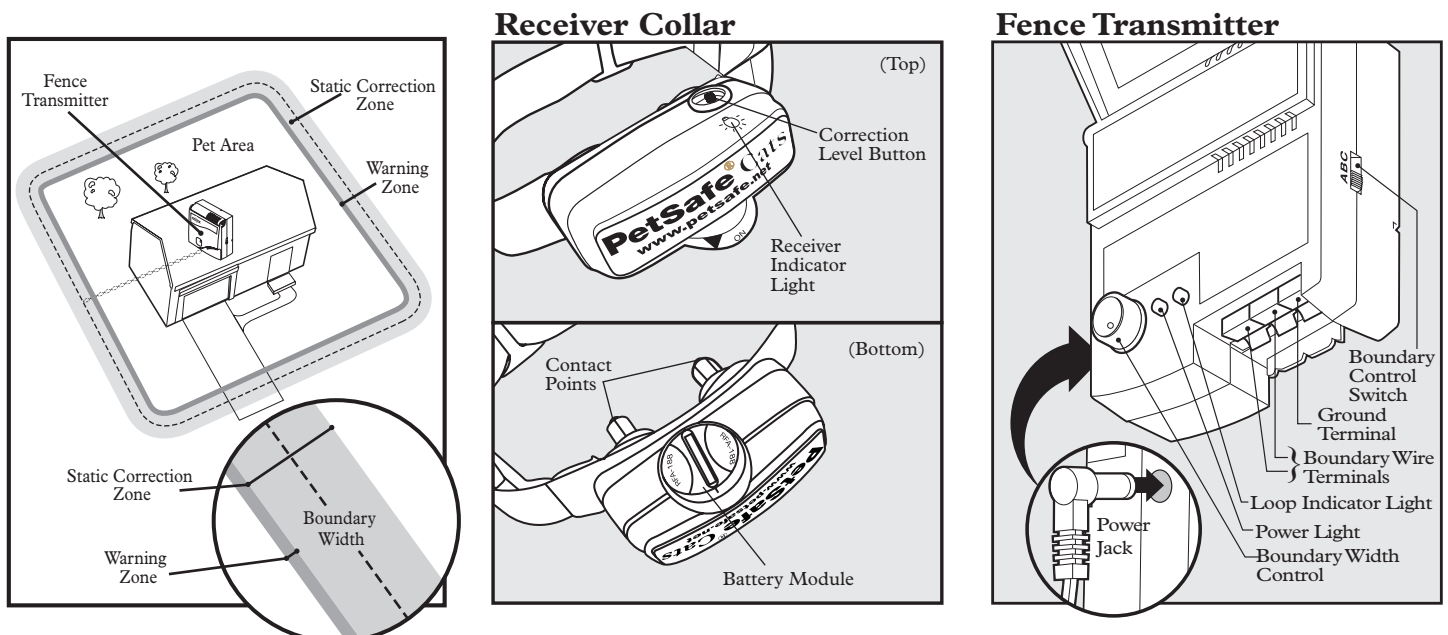
Power Jack: The jack where the Power Adapter plugs into the Fence Transmitter. The Fence Transmitter is powered by a standard 120-volt outlet.

Boundary Control Switch: The switch to adjust according to the length of Boundary Wire used.

Boundary Wire Terminals: The terminals where the Boundary Wires connect to the Fence Transmitter in order to complete a continuous loop.

Loop Indicator Light: The light that indicates that the Boundary Wire makes a complete loop, enabling the signal to be transmitted.

Boundary Width Control: The knob that adjusts the width of the Warning and Static Correction Zones. *Note: Adjusting the knob does not change the level of Static Correction on the Receiver Collar.*



Operating Guide

Step 1 Locate the Fence Transmitter

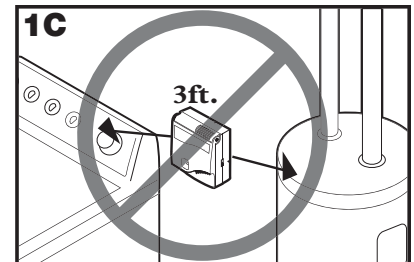
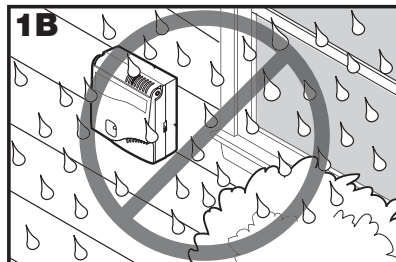
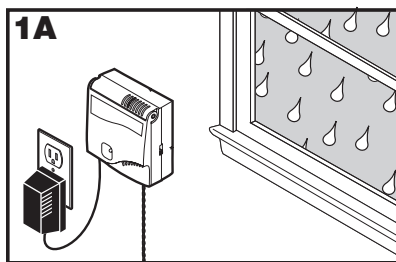
1

Place the Fence Transmitter:

- In a dry, well ventilated, protected area (1A, 1B).
- In an area where temperatures do not fall below freezing (e.g., garage, basement, shed).
- Secured to a stationary surface using appropriate mounting hardware (not included). A mounting template is included on the back of this guide.
- At least 3 feet from large metal objects or appliances, as these items may interfere with the signal consistency (1C).

Once you have mounted the Fence Transmitter, the Boundary Wire must exit the building. This can be accomplished via a window or through a $\frac{1}{8}$ in. hole drilled through the wall. Ensure the drill path is clear of any utilities. Make sure the Boundary Wire is not cut off or pinched by a window, door, or garage door, as this can damage it over time.

To prevent fires and electrical hazards, install the Fence Transmitter in buildings that are in accordance with state and local electrical codes.

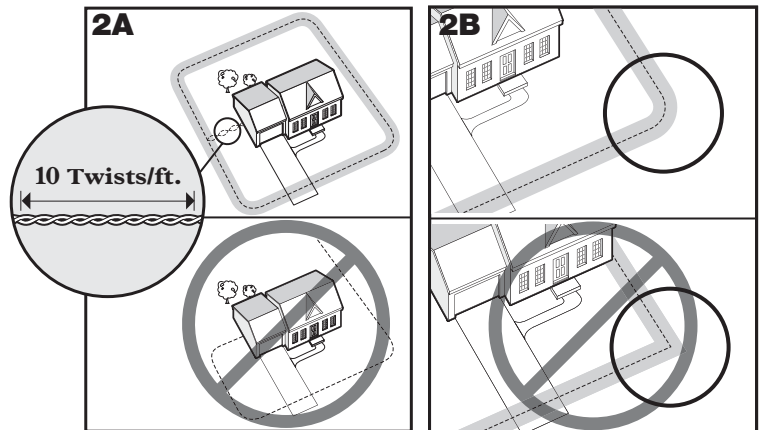


Step 2 Lay Out the System

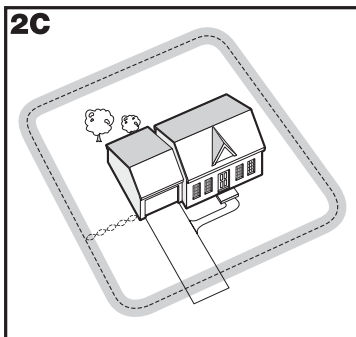
2

Basic Planning Tips

- When planning your layout, take care to exclude access to trees, sheds or other items your cat can use to jump over the Boundary. The signal from the Boundary Wire only extends the same distance vertically as horizontally. If your cat can take the Receiver Collar out of reach of the signal, he can jump the Boundary without receiving a Static Correction.
- The Boundary Wire **MUST** start at the Fence Transmitter and make a continuous loop back (2A).
- Design a layout that is suitable for your yard. Sample layouts are provided in this section, and a grid for designing your layout is provided in the back of this guide.
- Fence Planning Software is available online at www.petsafe.net/fence. After you have planned and saved your layout online, contact our Customer Care Center to review and refine your layout.
- Twisting two sides of the Boundary Wire cancels the signal and allows your cat to cross over that area safely. Plastic or metal piping will not cancel the signal. Twist the Boundary Wire 10 to 12 times per foot to cancel the signal (2A).
- Always use gradual turns at the corners to produce a more consistent boundary (2B). Do not use sharp turns, as this will cause gaps in your boundary.
- Avoid making passageways too narrow for your cat to move about freely (e.g., along the sides of a house).
- The Receiver Collar can be activated inside the house if the Boundary Wire runs along the outside wall of the house. If this occurs, remove your cat's Receiver Collar before bringing him inside, decrease the range using the Boundary Width Control Knob, or consider an alternative layout.

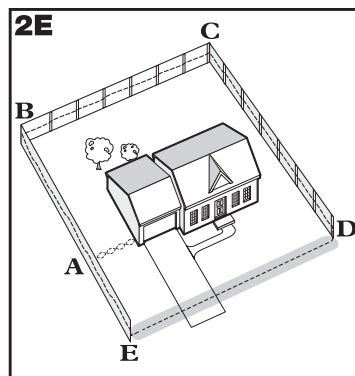
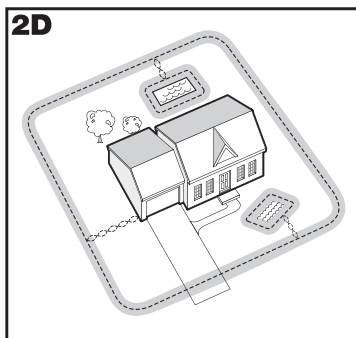


Sample Layouts



Sample 1: Perimeter Loop (Single Loop)

The Perimeter Loop is the most common layout. This will allow your cat to freely and safely roam your entire property (2C). It can also protect gardens, pools and landscaping (2D).



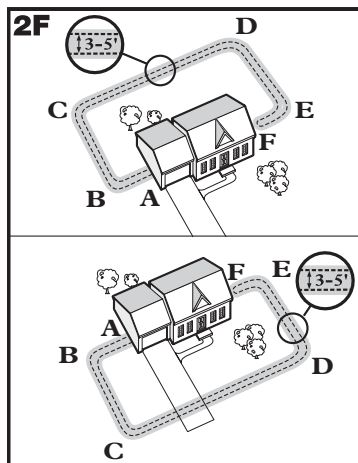
Sample 2 (2E): Perimeter Loop Using Existing Fence (Single Loop)

This layout allows you to include your existing fence as part of your layout and keep your cat from jumping out or digging under your existing fence. It reduces the amount of wire which will need to be buried. From the Fence Transmitter, run the wire to **A**, **A** to **B**, **B** to **C**, **C** to **D**, **D** to **E**, **E** to **A**, twist the wires from **A** back to the Fence Transmitter. See the "Install the Boundary Wire" section for more information on attaching the wire to a fence.

Double Loop

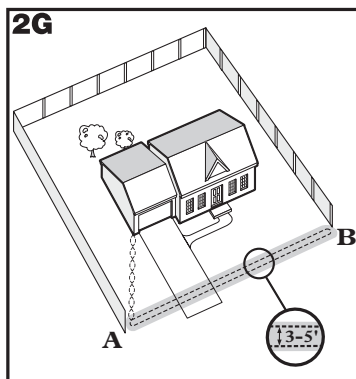
A Double Loop must be used when you are not establishing the Boundary Zone on all sides of your property.

When using a Double Loop, the Boundary Wire must be separated by a minimum of **3 TO 5 FEET** to avoid canceling the signal. Remember that a Double Loop will require twice as much wire.



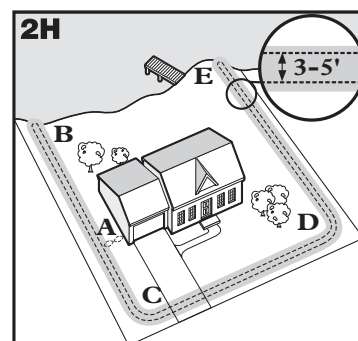
Sample 3 (2F): Front or Back Yard Only (Double Loop)

From the Fence Transmitter, run the wire to **A**, **A** to **B**, **B** to **C**, **C** to **D**, **D** to **E**, **E** to **F**, make a U-turn and follow your path all the way back to **A**, keeping the wire separated **3 to 5 feet**. Twist the wire from **A** back to the Fence Transmitter.



Sample 4 (2G): Front Boundary Only (Double Loop)

From the Fence Transmitter, run the wire to **A**, **A** to **B**, **B** back to **A** keeping the wire separated **3 to 5 feet**. Twist the wire from **A** back to the Fence Transmitter.

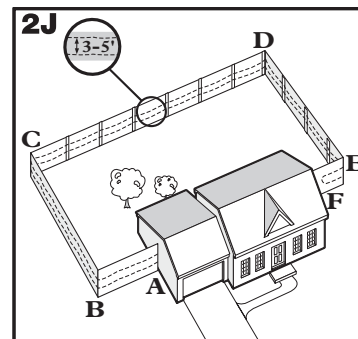


Sample 5 (2H): Lake Access (Double Loop)

From the Fence Transmitter, run the wire to **A**, **A** to **B**, make a U-turn and go to **C**, **C** to **D**, **D** to **E**, make a U-turn and follow your path all the way back to **A** keeping wire separated **3 to 5 feet**. Twist the wire from **A** back to the Fence Transmitter.

Sample 6 (2J): Wire Loop Attached to Existing Fence (Double Loop)

This layout allows you to include your existing fence as part of your layout and keep your cat from jumping out or digging under your existing fence. It reduces the amount of wire which will need to be buried. Run the wire from the Fence Transmitter to **A**, **A** to **B**, **B** to **C**, **C** to **D**, **D** to **E**, **E** to **F**, make a U-turn and follow your path all the way back to **A**, keeping the wire separated 3 to 5 feet. Twist the wire from **A** back to the Fence Transmitter. See the “Install the Boundary Wire” section for more information on attaching the wire to a fence.



Step 3 Position the Boundary Wire

Lay out the Boundary Wire using your planned boundary and test the system **BEFORE** burying the wire or attaching it to an existing fence. This will make any layout changes easier.

Running the Boundary Wire parallel to and within 5 feet of electrical wires, neighboring containment systems, telephone wires, television or antenna cables, or satellite dishes may cause an inconsistent signal. If you must cross any of these, do so at 90-degree angles (perpendicularly).

If separating your Boundary Wire by at least 5 feet from a neighboring containment system’s wire does not reduce the inconsistent signal, contact the Customer Care Center at 1-800-732-2677.

To Twist the Boundary Wire (3A)

Twisting the Boundary Wire cancels the signal and allows your cat to cross over that area safely. Plastic or metal piping will not cancel the signal. Twist the Boundary Wire 10-12 times per foot to cancel the signal. The maximum length of twisted wire is 50 feet.

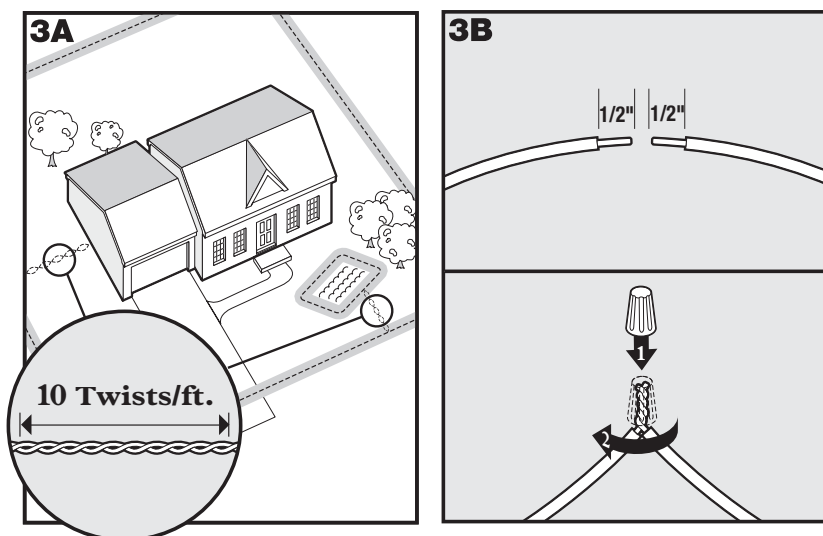
To Splice or Repair the Boundary Wire (3B)

If you need additional Boundary Wire to expand your wire loop, you will need to splice the wires together. Note the locations of all splices for future reference. Most Boundary Wire breaks occur at splices.

Strip approximately ½ in. of insulation off the ends of the Boundary Wires to be spliced. Make sure the copper Boundary Wire is not corroded. If the Boundary Wire is corroded, cut it back to expose clean copper wire.

Insert the stripped ends into the wire nut and twist the wire nut around the wires. Pull on the wires to make sure you have a strong splice connection. Apply waterproofing compound (e.g. silicone caulk) in and around the wire nut or wrap the wires and the wire nuts with electrical tape to prevent moisture from corroding the copper.

If your splice pulls loose, the entire system will fail. Make sure your splice is secure.



Additional Boundary Wire

We recommend the use of 20 gauge insulated multi-strand copper wire for direct burial. Extra Boundary Wire can be purchased in 500 ft. spools at the store where you purchased the kit or through the Customer Care Center at 1-800-732-2677.

Note: When adding Boundary Wire, it must act as a continuous loop.

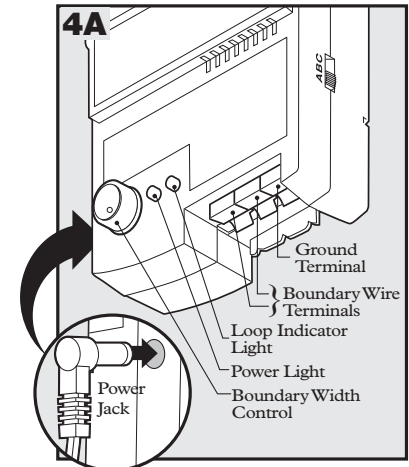
The table at right indicates the approximate length of Boundary Wire needed for a rectangular, Single Loop layout. Length will vary due to the amount of twisted wire and layout used. Remember that a double loop will require twice as much wire.

Acres	Feet
1/4	415
1/3	480
1/2	590
1	835
2	1180
5	1870
10	2800
25	4000

Step 4 Connect the Wires to the Fence Transmitter

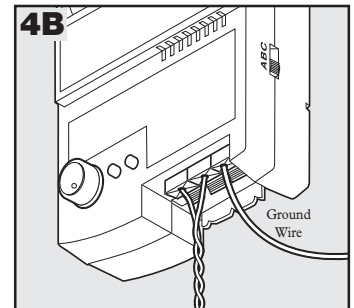
Boundary Wire (4A)

1. Run the Boundary Wire to the Fence Transmitter through a window, under a door, through a crawl space vent, or any other appropriate available access. You can also drill a hole through your wall.
2. Strip the ends of the Boundary Wire approximately $\frac{1}{2}$ in.
3. Insert the Boundary Wires into the Boundary Wire Terminals on the Fence Transmitter.
4. Turn the Boundary Width Control knob to 10. This will set the Warning Zone at the maximum width.
5. Plug the Power Adapter into the Power Jack and a 120-volt outlet.
6. The Power Light and Loop Indicator Lights should come on. If this does not happen, see the "Troubleshooting" section.



Ground Wire (4B)

Proper grounding, although not necessary for the system to work, will help reduce the chance of electrical surges causing damage to your Fence Transmitter and/or Power Adapter. To ground your unit, you will need a solid (not stranded) Ground Wire (14 to 18 gauge insulated copper wire) and a ground rod with clamp, which may be obtained at most electrical supply stores. Connect one end of the Ground Wire to the Ground Terminal located on the Fence Transmitter and the other end of the Ground Wire to the ground rod. The ground rod must be buried at least three feet into the ground and located as close as possible to the Fence Transmitter.

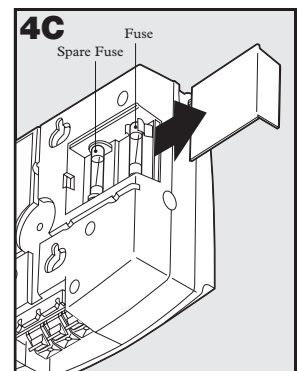


Fuse Protection (4C)

The Fence Transmitter is also equipped with a 250 volt, $\frac{1}{2}$ amp fuse to protect the unit's electronic circuitry from electrical power surges. To locate the fuse, slide off the lid on the back of the Fence Transmitter. A spare fuse is also provided.

Lightning Protection

You may purchase a Lightning Protection Kit through the Customer Care Center at 1-800-732-2677. The Lightning Protection Kit protects the system against surges that travel through the power source and/or the Boundary Wire. If you use a Lightning Protection Kit, the Ground Wire must be removed from the Fence Transmitter. The Lightning Protection Kit utilizes a ground connection separate from the Fence Transmitter.



Step 5 Prepare the Receiver Collar

5

To Insert and Remove the Battery

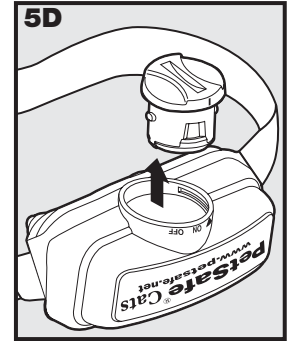
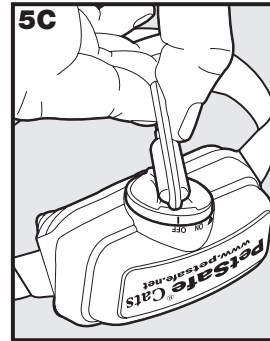
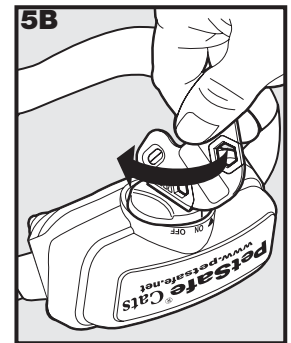
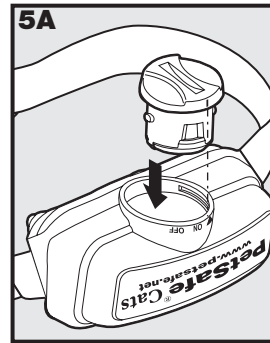
Note: Do not install the battery while the Receiver Collar is on your pet.

This Receiver Collar utilizes a replaceable PetSafe® battery (RFA-188). This unique battery is designed to make battery replacement easier and increase water protection.

To activate the collar, insert the battery module (5A). Using the edge of the Test Light Tool as shown, turn the battery clockwise until the vertical line on the battery is pointed to the “ON” position (5B). If the PetSafe Receiver Collar is not going to be used on the cat immediately, leave it in the “OFF” position.

To remove the battery, turn the battery counter-clockwise using the edge of the Test Light Tool as shown (5C, 5D). DO NOT attempt to cut into or pry open the battery. Be sure to discard the used battery properly.

A replacement PetSafe battery can be found at many retailers. Contact the Customer Care Center at 1-800-732-2677 or visit our website at www.petsafe.net to locate a retailer near you.



Two Color LED

The two color LED indicator shows good or low battery. Good battery equals 1 flash every 60 seconds with Green LED. Low battery equals 3 flashes every 60 seconds with the Red LED. If there are no LED lights it is time to change the battery.

To Set the Static Correction Level

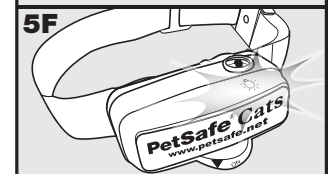
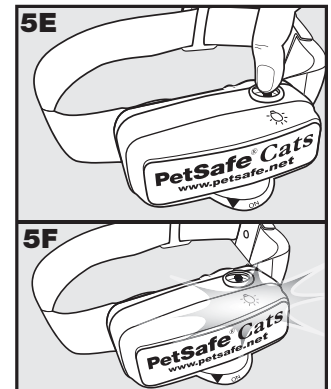
Read all steps before attempting to set the Static Correction Level.

1. With the battery installed, press the Correction Level Button and release when the Receiver Indicator Light lights red (5E).
2. The Receiver Indicator Light will emit a number of red flashes representing the Static Correction Level (5F).
3. Increase the Static Correction Level by pressing and releasing the Correction Level Button within 5 seconds of the previous flashes.

The Static Correction Levels increase from 1 to 5. Pushing the Correction Level Button while the Receiver Collar is on level 5 will cause the Receiver Collar to revert to level 1. Refer to the Function and Response Table to choose the Static Correction level that best fits your pet.

The Receiver Collar is equipped to automatically increase the level of Static Correction the longer your pet remains in the Static Correction Zone, if the collar is set at level 2 or above.

The Receiver Indicator Light acts as a low battery indicator, flashing every 60 seconds when battery replacement is required.



Function and Response Table

Note: Begin training with Static Correction Level 2 and only increase if your pet does not respond to the Static Correction.

Indicator Light Response	Static Correction Level	Receiver Collar Function	Temperament of Pet
1 Red Flash	1	No Static Correction, Tone Only	
2 Red Flashes	2	Low Static Correction	Timid
3 Red Flashes	3	Medium Static Correction	Timid or Average
4 Red Flashes	4	Medium High Static Correction	Average or High Energy
5 Red Flashes	5	High Static Correction	High Energy
Flashes 3 Red Flashes every 60 seconds	Low Battery		

Step 6 Set the Boundary Width and Test the Receiver Collar

6

The Boundary Control Switch on the side of the Fence Transmitter has three settings (6A). Setting **B** is used for most properties. The following table will indicate the setting you should use.

Amount of Wire	Setting
Up to 1300 feet	B
1300-2400 feet	C
Greater than 2400 feet	A

Use the Boundary Width Control knob to set the width of the Warning Zone and Static Correction Zone (6B). Set the Boundary Width as wide as possible to give your cat the widest Warning and Static Correction Zones without reducing the Pet Area too much.

Note: The Boundary Width Control knob does not change the Static Correction Level.

To identify the Warning and Static Correction Zones, make sure the Receiver Collar batteries are properly installed, the Static Correction Level is set at 2 or above, and the Test Light Contacts are held to the Contact Points (6C). Walk toward the Boundary Wire, holding the Receiver Collar at your cat's neck level (6D) until the Receiver Collar beeps (6E).

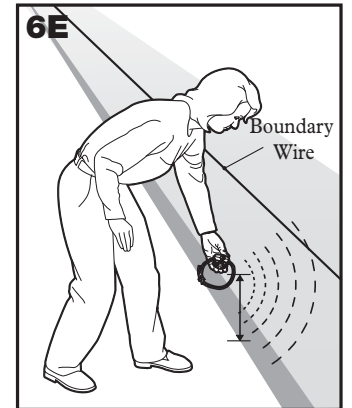
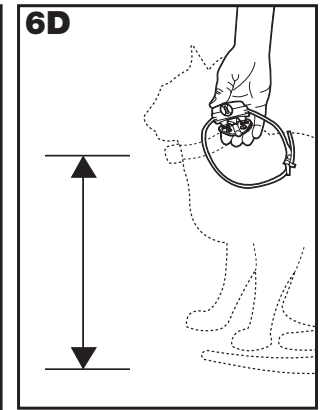
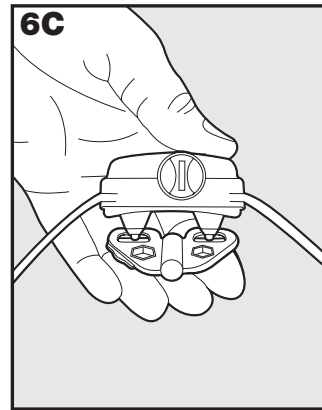
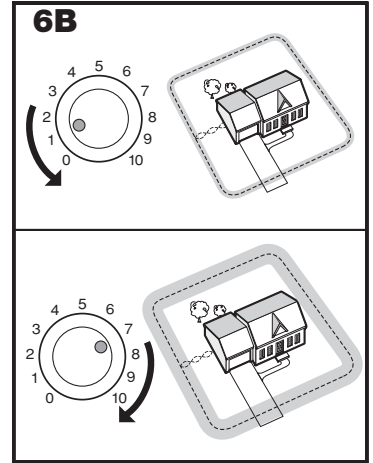
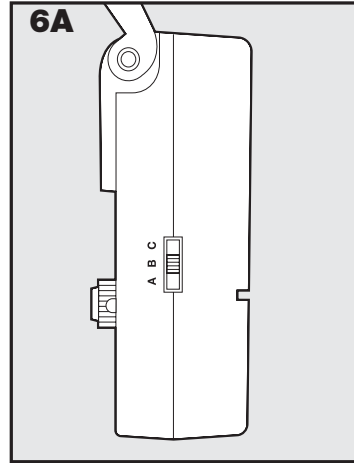
Note: The Receiver Collar is waterproof, which can make the beep hard to hear.

If the Receiver Collar does not beep at the desired range, adjust the Boundary Width Control knob to the desired setting. Turning the Boundary Width Control knob clockwise increases the Boundary Width while turning it counterclockwise decreases it (6B). Repeat this activity as needed until the Receiver Collar beeps at the desired distance from the Boundary Wire.

The numbers on the Boundary Width Control knob indicate signal strength and are not representative of Boundary Width footage. If adjusting the Boundary Width Control knob does not give the desired range, adjust the Boundary Control Switch to another setting to achieve your desired range. If using a Double Loop, you may need to increase the separation of the Boundary Wire to achieve desired range.

The Receiver Collar beeps as a warning tone and ticks when delivering a Static Correction. After hearing the beep, continue to walk towards the wire. The Receiver Collar should tick and the Test Light should flash, indicating the Static Correction as you enter the Static Correction Zone (6E). A warning tone and the flashing of the Test Light indicate that the Receiver Collar and the system are working properly and that you are ready to start burying the Boundary Wire. If the Receiver Collar did not beep or the Test Light did not flash, see the "Troubleshooting" section.

Note: The Boundary Width is broken down into 20% Warning Zone and 80% Static Correction Zone.



Install the Boundary Wire

To Bury the Boundary Wire

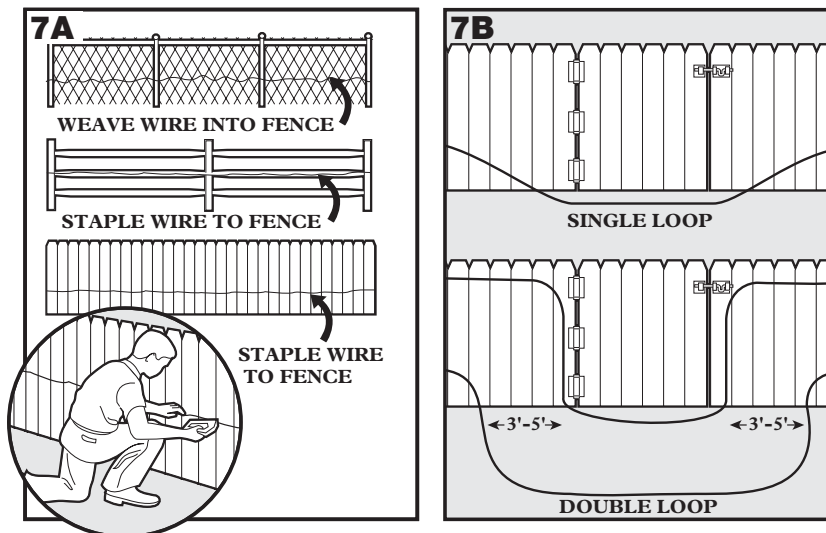
Burying the Boundary Wire is recommended to protect it and prevent disabling the system.

1. Cut a trench **1 to 3 inches** deep along your planned boundary.
2. Place the Boundary Wire into the trench maintaining some slack to allow it to expand and contract with temperature variations.
3. Use a blunt tool such as a wooden paint stick to push the Boundary Wire into the trench. Be careful not to damage the Boundary Wire.

To Attach the Boundary Wire to an Existing Fence

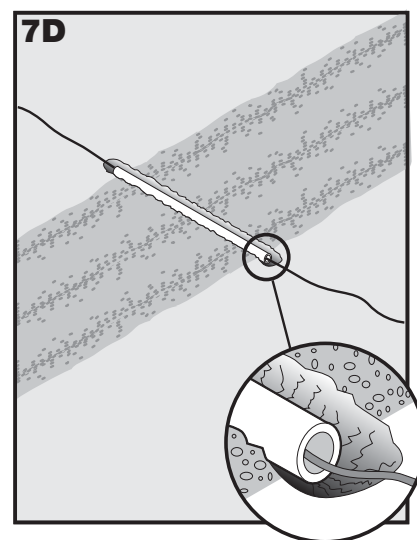
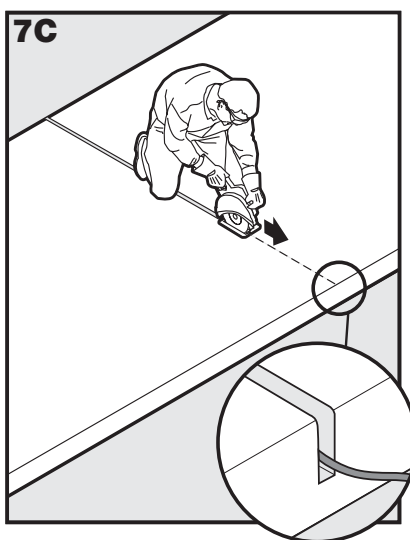
The Boundary Wire of the PetSafe® Deluxe In-Ground Cat Fence™ can be attached to a chain link fence, split rail fence, or a wooden privacy fence. The Boundary Wire can be attached as high as needed. However, make sure the Boundary Width is set at a high enough range for your cat to receive the signal. If using a Double Loop with an existing fence at least 3 feet tall, run the Boundary Wire on top of the fence and return it on the bottom of the fence to get the 5 foot separation needed.

- **Chain Link Fence (7A):** Weave Boundary Wire through the links or use plastic quick ties.
- **Wooden Split Rail or Privacy Fence (7A):** Use staples to attach Boundary Wire. Avoid puncturing the insulation of the Boundary Wire.
- **Double Loop with an Existing Fence:** Run the Boundary Wire on top of the fence and return it on the bottom of the fence to get the 3 to 5 foot separation needed.
- **Gate (Single Loop) (7B):** Bury the Boundary Wire in the ground across the gate opening. *Note: The signal is still active across gate. Your cat cannot pass through an open gate.*
- **Gate (Double Loop) (7B):** Bury both Boundary Wires across the gate opening while keeping them 3 to 5 feet apart.



To Cross Hard Surfaces (driveways, sidewalks, etc.)

- **Concrete Driveway or Sidewalk (7C):** Place the Boundary Wire in a convenient expansion joint or create a groove using a circular saw and masonry blade. Place the Boundary Wire in the groove and cover with an appropriate patching compound. For best results, brush away dirt or other debris before patching.
- **Gravel or Dirt Driveway (7D):** Place the Boundary Wire in a PVC pipe or water hose to protect the Boundary Wire before burying.

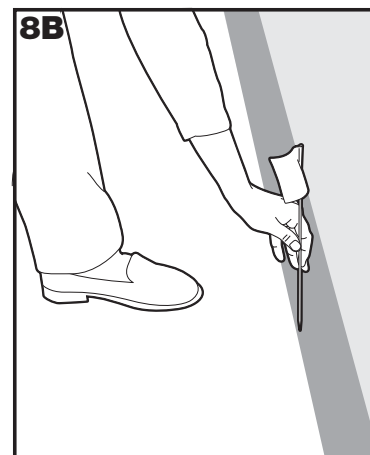


Step 8 Place the Boundary Flags

The Boundary Flags are visual reminders for your cat of where the Warning Zone is located.

1. Hold the Receiver Collar at your cat's neck height.
2. Walk towards the Warning Zone until the Receiver Collar beeps (8A).
3. Place a Boundary Flag in the ground (8B).
4. Walk back into the Pet Area until the beeping stops.
5. Repeat this process around the Warning Zone until it is marked with Boundary Flags every 10 feet or less.

Note: If you cannot hear the beep, see the Test Light Instructions in Step 6.

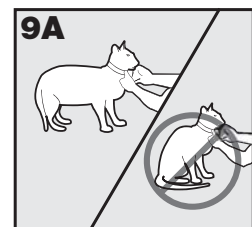


Step 9 Fit the Receiver Collar

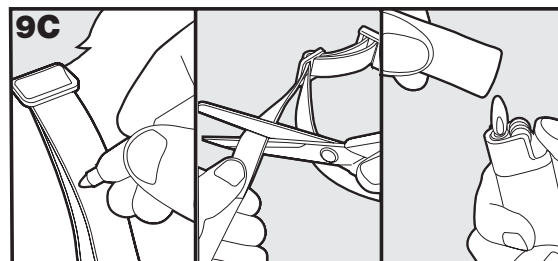
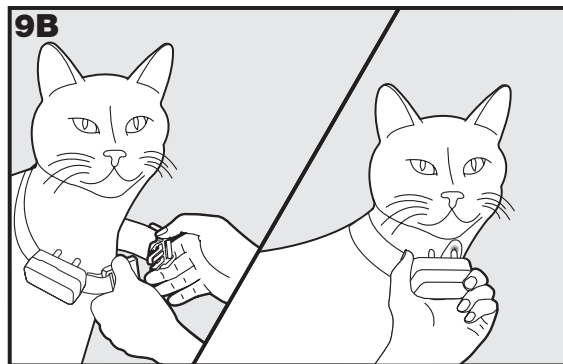
Important: The proper fit and placement of your Receiver Collar is important for effective training. The Contact Points must have direct contact with your cat's skin on the underside of his neck.

- To assure a proper fit, please follow these steps:
1. Make sure that the batteries are not installed in the Receiver Collar.
 2. Start with your cat standing comfortably (9A).
 3. Center the Contact Points underneath your cat's neck, touching the skin.

Note: It is sometimes necessary to trim the hair around the Contact Points to make sure that contact is consistent.



4. Check the tightness of the Receiver Collar by inserting one finger between the end of a Contact Point and your cat's neck. The fit should be snug but not constricting (9B).
5. Allow your cat to wear the collar for several minutes then recheck the fit. Check the fit again as your cat becomes more comfortable with the Receiver Collar.
6. Trim the collar as follows (9C):
 - a. Mark the desired length of the Receiver Collar with a pen. Allow for growth if your cat is young or grows a thick winter coat.
 - b. Remove the Receiver Collar from your cat and cut off the excess.
 - c. Before placing the Receiver Collar back onto your cat, seal the edge of the cut collar by applying a flame along the frayed edge.

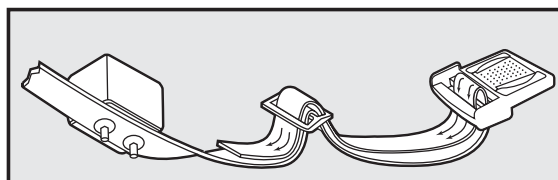
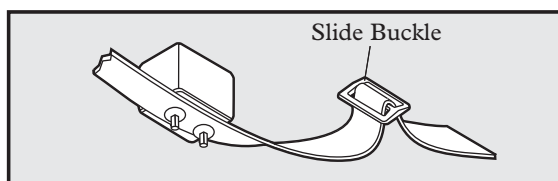


Important: For comfort, safety and effectiveness of product, please ensure the following:

- During the first 2 weeks of training, do not use the training device on your pet without direct supervision.
- Check the fit to prevent excessive pressure by being able to insert one finger between the Contact Point and your pet's skin.
- Your pet must be carefully examined daily for any signs of a rash or sore.
- If a rash or sore is observed, discontinue the use of the Receiver Collar for a few days.
- If the condition persists beyond 48 hours, see your veterinarian.
- Your pet's neck and the Contact Points must be washed weekly with a wash cloth and mild hand soap, then rinsed thoroughly.

A condition called Pressure Necrosis, which is a devitalization of the skin due to excessive and prolonged contact against the Contact Points, may occur if the steps above are not followed.

To Re-Thread the Collar



The slide buckle prevents the collar from becoming loose around your cat's neck.

Training Guide

Cat Training Introduction

This training guide offers a choice of two training methods: On Lead Method and Supervised Tie Out Method. Both methods require close supervision of your cat throughout the training period. Carefully read both methods to determine which is right for you and your cat.

Be Patient With Your Cat

Important: Proper training of your cat is essential to the success of the PetSafe® Deluxe In-Ground Cat Fence™. Read this section completely before beginning to train your cat. Remember that the PetSafe Deluxe In-Ground Cat Fence is not a solid barrier.

- Training should be fair, firm and consistent.
- Train for 10 to 15 minutes at a time. Don't try to do too much too quickly. More-frequent short sessions are better than less-frequent longer sessions.
- If your cat shows signs of stress, slow down the training schedule and/or add additional days of training.
- Finish each training session with lots of praise and affection.
- Remove the Receiver Collar after each training session.
- Keep your cat on a harness attached to a lead during training sessions.
- Even if you think your cat is responding well to the training, complete the entire training. Reinforcement is important.
- Regularly check the fit of the Receiver Collar against your cat's skin.

Preparation

Your goal is to train your cat to turn away from the Boundary Zone every time he hears the warning beep from the Receiver Collar.

During training, your cat must develop an understanding of the Boundary and that you require him to remain within it.

Cats are independent creatures. In order to gain the correct response, you must always work with a kind, calm and respectful manner. Gain your cat's trust and you will build a mutual respect which will ultimately lead to success.

It must be remembered that by their very nature cats are more agile and therefore more mobile than dogs. You must be very aware of your training environment. If it is possible for your cat to climb on a shed or up a tree, taking the Receiver Collar out of reach of the signal from the Boundary Wire, then it is possible that he could jump the Boundary without receiving a Static Correction.

The time scale for fully training your cat can range from one to two weeks. During the training period, you should be able to detect from your cat's response if it is time to move on to the next training phase.

Receiver Collar Familiarity

Goal:

To familiarize your cat with the Receiver Collar if he has not worn one before.

Steps:

1. Fit the Receiver Collar as detailed in Step 9 of this guide, but without batteries inserted, so there is no chance of your cat receiving a correction at this early stage.
2. Reward your cat for allowing you to put on the Receiver Collar and leave him for a short period of time (5 - 15 minutes). Gradually increase the time your cat spends wearing the Receiver Collar to an hour or more.
3. Your cat is ready to move on to Phase 1 when you observe him behaving normally (e.g., grooming, eating, sleeping, showing affection) while wearing the Receiver Collar.

Training Guide

On Lead Method

Phase 1 Days 1 thru 2 – Boundary Awareness - Warning Zone

Perform three or four training sessions per day, each lasting 10 – 15 minutes.

Important:

- **Your cat MUST stay in a harness for training, to allow for any unpredictable response. The harness also gives you control to guide your cat to a “place of safety” within the Pet Area once warned or corrected by the Receiver Collar.**
- **If your cat attempts to leave the Pet Area, make sure he does not get past the Boundary Flags. Never let the cat past the Boundary Flags with or without the Receiver Collar on. If your cat thinks he can pass the Boundary Flags, training will take longer.**

Goal:

To teach your cat to associate the beep with the position of the Warning Zone.

Steps:

1. Set the Receiver Collar to Level 1 (tone only).
2. Put the harness and lead on your cat. Lead him into the Pet Area and up to a chosen point by the Boundary Flags.
3. Holding the Receiver Collar near your cat's ears, lead him into the Warning Zone.
4. As the beep sounds, urgently say “run away, run away” while pulling your cat on the harness into the Pet Area. Praise and give affection to your cat.
5. Connect the response to the beep with the Boundary Flag response by carrying a spare Boundary Flag. Produce the Boundary Flag and wave it at the point the Receiver Collar starts to beep.
6. Repeat the process at several different Boundary Flags.
7. As you repeatedly lead your cat to the Boundary Flags and the warning beep sounds, you should notice some reluctance from him, and he should try to move away.

Phase 2 Days 3 thru 7 - Boundary Awareness - Static Correction Zone

Perform three or four training sessions per day, each lasting 10 – 15 minutes.

Important:

- **Your cat MUST stay in a harness for training, to allow for any unpredictable response. The harness also gives you control to guide your cat to a “place of safety” within the Pet Area once warned or corrected by the Receiver Collar.**
- **If your cat attempts to leave the Pet Area, make sure he does not get past the Boundary Flags. Never let the cat past the Boundary Flags with or without the Receiver Collar on. If your cat thinks he can pass the Boundary Flags, training will take longer.**

Goal:

To teach your cat to associate the Static Correction with the position of the Static Correction Zone.

Steps:

1. Set the Receiver Collar to Level 2 – the lowest Static Correction level.
2. Fit the Receiver Collar as detailed in Step 9 of this guide.
3. As in Phase 1, lead your cat to the Boundary Flags, but let him move through the Warning Zone to receive the small Static Correction.

Note: You may need to remove every other flag at this stage to encourage your cat to approach the Static Correction Zone.

4. When your cat is corrected, urgently say “run away, run away” while pulling him into the Pet Area where the beep will stop. Praise and give affection to your cat.
 5. If your cat ignores the Static Correction, first check the Receiver Collar fit to ensure good contact with the skin and try again. If he still ignores the correction, try gradually increasing the Correction Level as detailed in Step 5 of this manual until he reacts.
 6. This should complete the association with the need to move away from the Boundary. If your cat has responded well to the previous steps, it should not be necessary to purposefully make your cat experience a Static Correction more than once or twice.
-

Phase 3 Days 8 thru 14 – Unleashed Observation

Training sessions should start at 10 – 15 minutes, gradually increasing to one hour and more. Your cat is ready for this phase only when he normally avoids the Boundary Flag line. During this phase, watch your cat carefully.

Goal:

To give your cat free run of the Pet Area.

Steps:

1. Fit the Receiver Collar as detailed in Step 9 of this guide.
 2. Allow your cat freedom in your property while you act as a minder.
 3. Observe your cat as he approaches the Boundary and receives warning beeps and Static Corrections on his own. If he responds by turning away from the Boundary and is not distressed, your cat is ready to move on to the final Phase.
-

Phase 4 Days 15 thru 30 – Extended Observation

For the first few weeks after training, check on your cat regularly, to ensure that all is well. Gradually reduce your checking until both of you have total freedom.

After you are satisfied your cat’s training is complete, remove every other Boundary Flag every 4 days until all flags are removed. Save Boundary Flags for future use.

If you need to take your cat out of the Pet Area, remove the Receiver Collar and leave it in the Pet Area.

Congratulations! You have now successfully completed the training program.

Training Guide

Supervised Tie Out Method

Goal:

To train your cat to turn towards home every time he hears the warning beep from the Receiver Collar. Training should take about one week.

Setup:

1. When training a cat, use a harness for attaching the tie-out.
2. Set the Receiver Collar to Correction Level 2 or 3 depending on the size and temperament of your cat. The higher the Correction Level, the stronger the Static Correction.
3. Cats must wear Receiver Collars much tighter than standard collars. Both Contact Points must touch the skin.
4. Purchase a 15' to 20' yard tie-out from any pet store.

Steps:

1. Insert the yard anchor in the ground so the end of the tie-out reaches 1 to 2 feet past the Warning Zone.
2. To ensure your cat's well being, be sure there is shade and fresh water within the radius of the tie-out.
3. Attach your cat's harness to the tie-out.
4. Leave your cat in the tie-out area for 4 to 6 hours. Supervision is required for your cat's safety. Your supervision will monitor whether your cat has received a correction and whether your cat is learning the system.
5. Move the tie-out to different areas of the Boundary.
6. Continue the training for 3 days. During this period, your cat will learn to recognize the warning beep and to avoid the Static Correction Zone.

Supervise your pet in the yard for several weeks.

Leave the Boundary Flags in place for 3 weeks after your cat is trained. Then remove every other Boundary Flag every 4 days until they are all gone. Keep the Boundary Flags for future use. Regularly check the Receiver Collar and the fit against your cat's skin.

Accessories

To purchase additional accessories for your PetSafe® Deluxe In-Ground Cat Fence™, contact the Customer Care Center at 1-800-732-2677. Some of the accessories may also be purchased at a retail store. Visit www.petsafe.net to find a retailer near you.

Component	Part Number
Battery	RFA-188
Power Adapter for the Fence Transmitter*	300-006
Installation and Training DVD*	RFA-255
Replacement Collar*	RFA-254
Additional Receiver Collar	PIG00-11006
Additional Boundary Wire*	RFA-1
Additional Boundary Flags*	RFA-2
Wire & Flag Accessory Kit	PRFA-500
Fence Transmitter*	RFA-125
Lightning Protection Kit*	RFA-28
Wire Break Locator*	RFA-50

* Only available through the Customer Care Center.

Troubleshooting

<p>Receiver Collar is not beeping or correcting.</p>	<ul style="list-style-type: none"> • Check battery to make sure it is installed properly. • Check that both lights are lit on the Fence Transmitter. If not, perform the “Short Loop Test.”
<p>The Receiver Collar is beeping, but my cat is not responding to the Static Correction.</p>	<ul style="list-style-type: none"> • Make sure that Static Correction Level is at 2 or above. • Test the Receiver Collar with the Test Light. • If the Test Light flashes, check the fit of the Receiver Collar. • Trim your cat’s fur where the Contact Points touch the neck. • Increase the Static Correction Level. • Repeat training steps to reinforce training.
<p>The Receiver Collar has to be held on top of the Boundary Wire to activate.</p>	<ul style="list-style-type: none"> • Replace battery. • Adjust Boundary Width Control knob clockwise to increase the distance from the Boundary Wire that the Receiver Collar activates. You can also adjust the Boundary Control Switch to another setting. • If using a Double Loop, make sure Boundary Wires are separated 3 to 5 feet. • If the Receiver Collar still has to be held on top of the Boundary Wire, perform the “Short Loop Test.”
<p>The Receiver Collar activates inside the house.</p>	<ul style="list-style-type: none"> • Turn the Boundary Width Control knob counterclockwise to decrease the distance from the Boundary Wire that the Receiver Collar activates. • Make sure the Boundary Wire is not running too close to the house. The signal can transmit through the walls of your house. • Make sure Boundary Wires are twisted from Boundary to the Fence Transmitter.
<p>I have an inconsistent signal.</p>	<ul style="list-style-type: none"> • Make sure the Fence Transmitter is at least 3 feet from large metal objects or appliances. • Make sure all Boundary Wire turns are gradual. • Make sure the Boundary Wire is not running parallel to and within 5 feet of electrical wires, neighboring containment systems, telephone wires, television or antenna cables, or satellite dishes. • If a neighboring containment system may be causing an inconsistent signal, contact the Customer Care Center at 1-800-732-2677 to see if a different frequency system will help your situation.
<p>The Power and Loop Indicator Lights are off.</p>	<ul style="list-style-type: none"> • Check that the Power Adapter is plugged into the Fence Transmitter. • Try plugging into another 120-volt outlet. • Remove the fuse door on the back of the Fence Transmitter and change out the fuse with the spare one located in the same area. • If the lights still do not come on, the Fence Transmitter and/or Power Adapter needs to be replaced. Contact the Customer Care Center at 1-800-732-2677.
<p>The Power Light is on, the Loop Indicator Light is off, and the Fence Transmitter loop alarm is sounding.</p>	<ul style="list-style-type: none"> • Make sure both ends of the Boundary Wire are plugged into Boundary Wire Terminals and that ½ inch of the insulation is stripped so that the copper wire is exposed. • Perform the “Short Loop Test” to determine if the Fence Transmitter needs to be replaced or if the Boundary Wire is broken. • If the Fence Transmitter is functioning properly, you have a break in your Boundary Wire. See the “To Locate a Break in the Boundary Wire” section in this guide.
<p>The fuse blows when it is replaced.</p>	<ul style="list-style-type: none"> • The Fence Transmitter and/or Power Adapter needs to be replaced. Contact the Customer Care Center at 1-800-732-2677.

Additional Information

- The Boundary Wire is buried so that it is not accidentally tripped over or cut. Use care when trimming grass or digging near the Boundary Wire to prevent damage.
- The system should only be used with healthy pets. Contact your veterinarian if you have concerns about the medical condition of your pet (medication, pregnant, heart conditions, etc.).
- This system is not for vicious or aggressive pets. If your pet may pose a threat to others, **DO NOT USE THIS SYSTEM.** If you are unsure if your pet is aggressive, please consult your veterinarian or a certified trainer.
- The PetSafe® Deluxe In-Ground Cat Fence™ is for residential use only.
- The Static Correction will get your pet's attention, but will not cause harm. It is designed to startle, not to punish.
- Test the Receiver Collar every 2 months. Battery life depends upon how often the Receiver Collar is activated.

Short Loop Test

The Short Loop Test is a simple test to determine if each component (Fence Transmitter, Receiver Collar and Boundary Wire) is functioning properly.

1. Disconnect the Boundary Wire and Ground Wire.
2. Cut approximately 10 feet of unused Boundary Wire and connect it to the Boundary Wire Terminals.
3. Attach the Test Light to the Receiver Collar.
4. Spread the Boundary Wire out into a circle. Set the Boundary Control Switch to **B**.
5. Set the Boundary Width Control knob to 10 and the Static Correction Level to 2 or above.
6. If the Loop Indicator Light is not lit, then your Fence Transmitter is not functioning properly. Contact the Customer Care Center at 1-800-732-2677.
7. If the Loop Indicator Light is lit, disconnect one end of the Boundary Wire from the Boundary Wire Terminal.
8. If the loop alarm does not sound, the Fence Transmitter needs to be replaced. Contact the Customer Care Center at 1-800-732-2677.
9. If the loop alarm does sound, plug the Boundary Wire back into the Boundary Wire Terminal.
10. Hold the Receiver Collar next to the 10 foot length of Boundary Wire. The Receiver Collar should beep about 1 foot away from the Boundary Wire. The Test Light should then flash as you hold the Receiver Collar closer to the Boundary Wire.
11. If Receiver Collar does not beep and the Test Light does not flash, replace the battery in the Receiver Collar. If it still does not beep and the Test Light does not flash, contact the Customer Care Center at 1-800-732-2677.
12. If the Receiver Collar beeps, there may be a complete or partial break in the Boundary Wire. See the "To Locate a Break in the Boundary Wire" section.

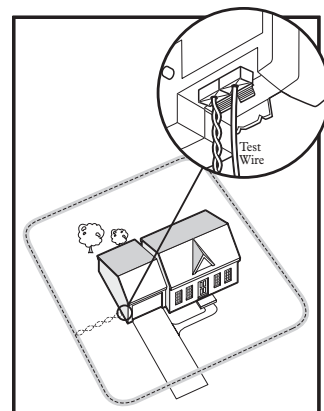
To Locate a Break in the Boundary Wire

Please follow these steps in determining where you have a break in your Boundary Wire:

1. Locate your original splice(s) and verify they have a good, solid connection.
2. Check your yard to determine any possible damage to the Boundary Wire (e.g. recent digging, aerating, rodent burrowing, or any other noticeable disturbance in your yard next to the Boundary Wire).

If you still cannot find the break in the Boundary Wire, follow the procedure below:

1. Unplug the Fence Transmitter.
2. Connect both ends of your twisted Boundary Wire to one Boundary Wire Terminal.
3. Measure and cut a Test Wire which is half the length of your total Boundary Wire footage.
4. Connect one end of Test Wire to the other Boundary Wire Terminal.
5. Locate the halfway point of your boundary and cut the Boundary Wire.
6. Splice the other end of the Test Wire to either side of your Boundary Wire where you cut it in half.
7. Plug in the Fence Transmitter and check the Loop Indicator Light. If the Loop Indicator Light is on, you can assume the break is in the other half of the Boundary Wire.



8. If the Loop Indicator Light did not come on, you may assume there is a break in this portion of the Boundary Wire. However, there is a small chance of having more than one break in your system. Be sure to check both halves of your entire loop.
 9. Replace the damaged Boundary Wire with new Boundary Wire.
 10. Reconnect the Boundary Wire to the Fence Transmitter.
 11. Check the Loop Indicator Light. If the Loop Indicator Light is on, test the system with the Receiver Collar.
-

Terms of Use and Limitation of Liability

1. Terms of Use

This Product is offered to you conditioned upon your acceptance without modification of the terms, conditions and notices contained herein. Usage of this Product implies acceptance of all such terms, conditions, and notices.

2. Proper Use

This Product is designed for use with pets where training is desired. The specific temperament of your pet may not work with this Product. We recommend that you not use this Product if your pet is less than 6 lbs. or if your pet is aggressive. If you are unsure whether this is appropriate for your pet, please consult your veterinarian or certified trainer.

Proper use includes reviewing the entire Guide provided with your Product and any specific Caution statements.

3. No Unlawful or Prohibited Use

This Product is designed for use with pets only. This pet training device is not intended to harm, injure or provoke. Using this Product in a way that is not intended could result in violation of Federal, State or local laws.

4. Limitation of Liability

In no event shall Radio Systems® Corporation be liable for any direct, indirect, punitive, incidental, special or consequential damages, or any damages whatsoever arising out of or connected with the use or misuse of this Product. Buyer assumes all risks and liability from the use of this Product.

5. Modification of Terms and Conditions

Radio Systems Corporation reserves the right to change the terms, conditions and notices under which this Product is offered.

FCC

This equipment has been tested and found to comply with the limits for a Class B digital device, pursuant to Part 15 of the FCC Rules. These limits are designed to provide reasonable protection against harmful interference when the equipment is operated in a residential environment. This equipment generates, uses, and can radiate radio frequency energy and, if not installed and used in accordance with the instruction guide, may cause harmful interference to radio communications. However, there is no guarantee that interference will not occur in a practical installation. If this equipment causes harmful interference to radio or television reception, which can be determined by turning the equipment off and on, the user is encouraged to try to correct the interference by one or more of the following measures:

- Relocate the interfered receiving antenna.
- Increase the separation between the equipment and receiver.
- Connect the equipment into an outlet on a circuit different to that to which the receiver is connected.
- Contact the Customer Care Center at 1-800-732-2677.

Unauthorized changes or modifications to the equipment, not approved by Radio Systems Corporation, could result in not meeting compliance with FCC regulations and could void the user's authority to operate the equipment.

Caution

The PetSafe® Deluxe In-Ground Cat Fence™ is NOT a solid barrier. The system is designed to act as a deterrent to remind pets by Static Correction to remain in the boundary established. It is important that you reinforce training with your pet on a regular basis. Since the tolerance level to Static Correction varies from pet to pet, Radio Systems Corporation CANNOT guarantee that the system will, in all cases, keep a pet within the established boundary. Not all pets can be trained to avoid crossing the boundary! Therefore, if you have reason to believe that your pet may pose a danger to others or harm himself if he is not kept from crossing the boundaries, you should NOT rely solely upon the PetSafe Deluxe In-Ground Cat Fence to confine your pet. Radio Systems Corporation shall NOT be liable for any property damage, economic loss or any consequential damages, sustained as a result of any animal crossing the boundary.

Product Warranty

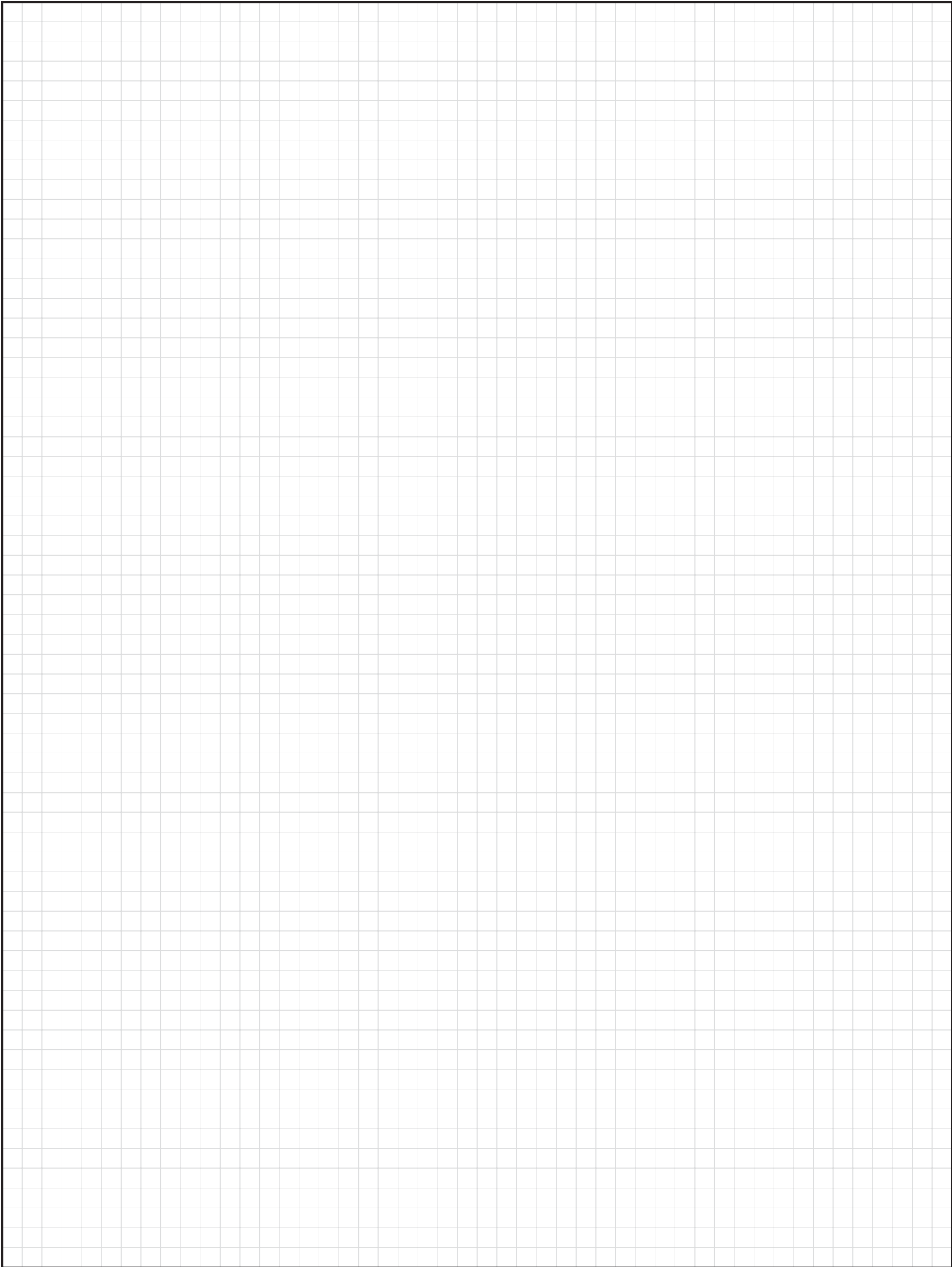
Please register your product online at www.petsafe.net. All parts are covered under warranty for the life of this product. Labor is covered for the first year of ownership. Thereafter, there is a minimum service charge for the repair or replacement of the product. Misuse, loss, damage by pet or improper use or handling is not covered. PetSafe will not pay for loss of time, inconvenience, loss of use of your product or any incidental or consequential damage. Warranty void if product resold.

Please contact the Customer Care Center at 1-800-732-2677 if you need service or for help in troubleshooting and, if needed, to arrange a repair for your product (a service charge may apply.) Also, please visit our website www.petsafe.net for Frequently Asked Questions and Troubleshooting Tips.

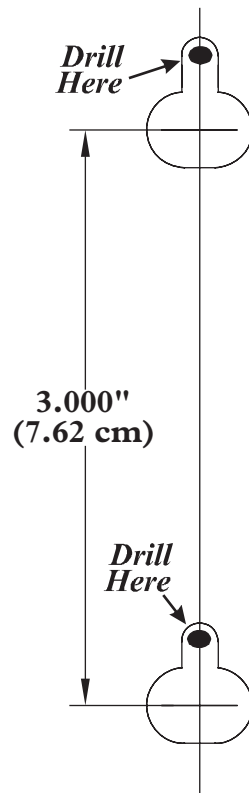
Perchlorate Battery

Perchlorate Material – special handling may apply. See www.dtsc.ca.gov/hazardouswaste/perchlorate.

Layout Grid



Mounting Template



Radio Systems Corporation
10427 Electric Avenue
Knoxville, TN 37932
1-800-732-2677
www.petsafe.net
400-844

Covered by US Patent 6,921,089, other patents pending

©Copyright 2007, Radio Systems Corporation